

臣工(香港)電子科技有限公司
CKQ (HK) Electronic Technology Co., Ltd.

東莞市臣工電子科技有限公司
Dongguan Chengong Electronic Technology Company Limited

電話: 0769- 88004821
傳真: 0769- 82865541
郵箱: info@ckqtech.cn
地址:廣東省東莞市塘廈鎮科苑城產業園新苑南路5號
 鑫博盛創客產業園A棟8樓

臣工插座 CKQ POWER DATA OUTLETS MAKE YOU SUCCESS
助您成功



Version: 202303



NICE & STYLISH
Modular Power Data OUTLETS
時尚簡潔 多功能模組插座

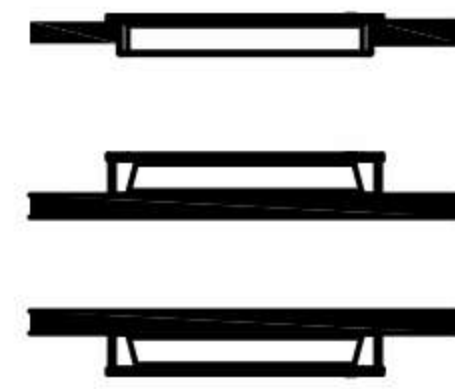


GUIDELINE

選購指引

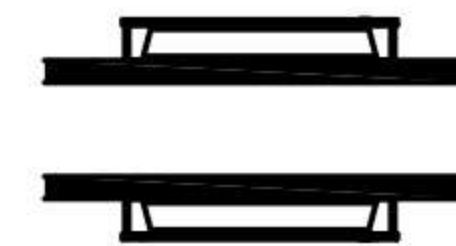
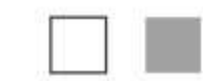
CK01

P3



CK06

P15



CK05

P13



CK07

P19



CK09

P21



CK10R & CK10M

P23



CK03 & CK03M

P9



CK11

P25



CK02L & CK02H

P5



1

Category: 類型

Built-in Socket 嵌入式插座



Desktop Socket 台面插座



Underneath type 台底插座



2

Application: 應用

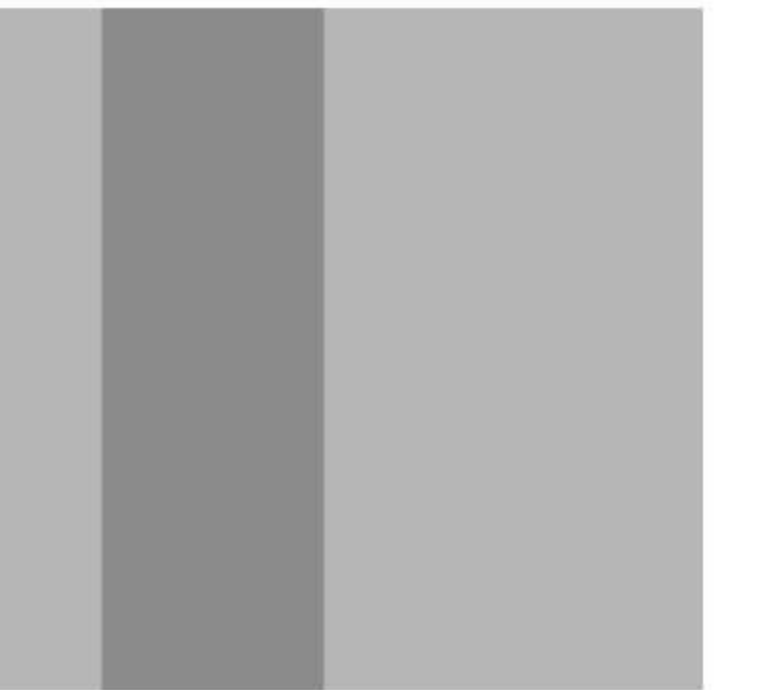
Standard Workstations / Height-adjustable Desk 常規工作台/升降桌

Conference Table / Multi-media Room 會議桌/多媒體室

Panel System 屏風系統

Hotel Room 酒店房間

Charging Stations / Night Stand 充電站/床頭櫃





Daisy Chain Power Connection
串聯安裝

CK01 Nice & Versatile 優秀多面手

- Category: in desk, under desk
- Easy to install with provided mounting brackets
- 3 mounting methods for easy installation
- New mounting bracket for installation inside cable tray
- Customized to any combination of power, data & custom modules
- Capable of daisy chain power connection

- 類別: 嵌入式, 台底應用
- 借助安裝件輕鬆安裝
- 3種簡易安裝方式
- 全新安裝組件, 支持線槽安裝
- 定制化模塊, 按需組合電源和弱電配置
- 可串聯使用

Patented product 專利產品

UL cUL CCC CE RoHS



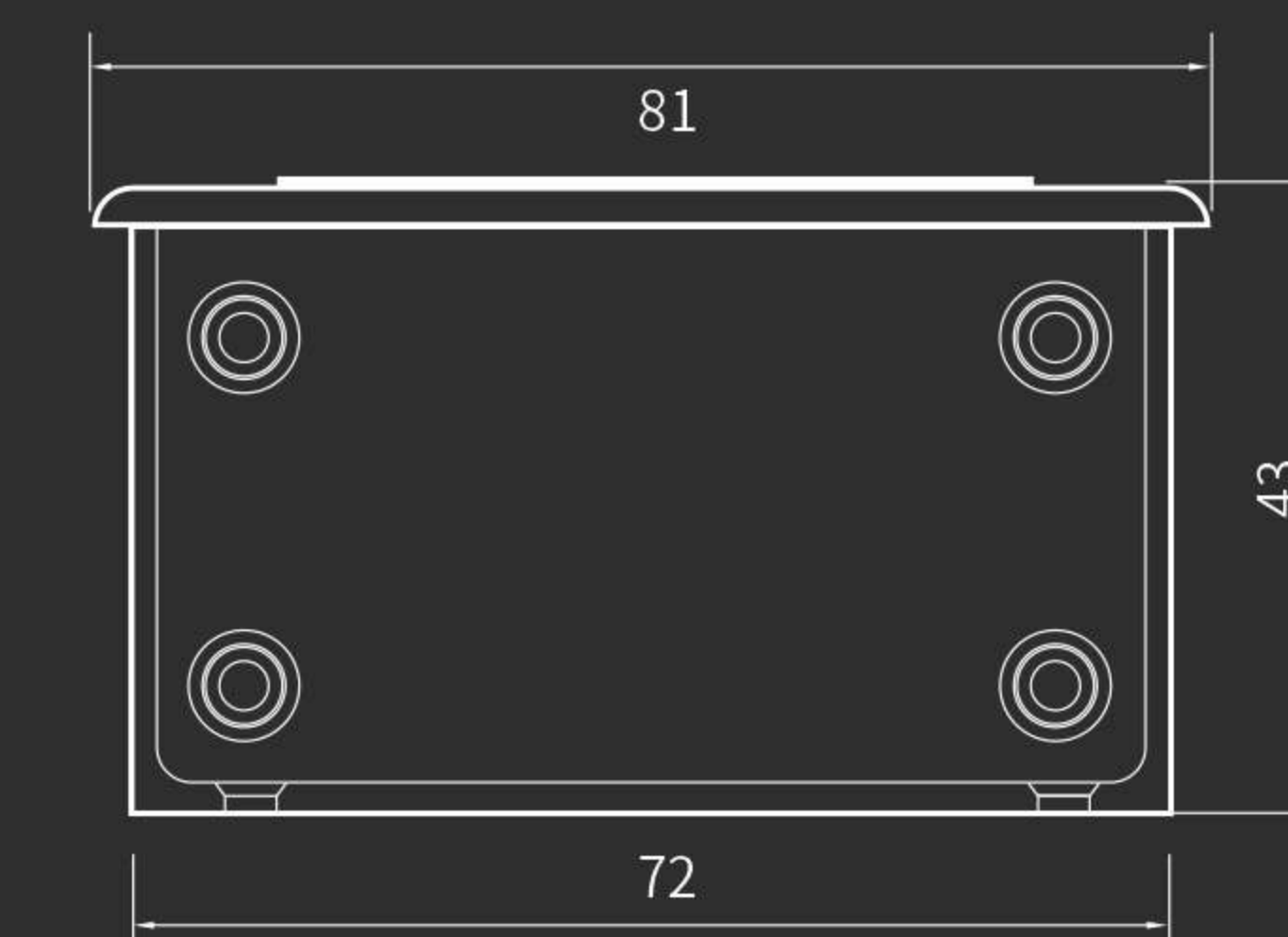
Ideal for: panel, training room, work station, hotel room
適用於屏風, 訓練室, 辦公台面, 酒店房間

Anodized aluminum body: Clear / Black 陽極氧化鋁機身 ● ○
 Modules: White / Black 模塊 ● ○
 End caps: Silver / Black 端蓋 ● ○



Specification 詳細參數

Min size 最小尺寸	1.5 modules 1.5模塊
Max size 最大尺寸	7 modules 7模塊
Length (L)長度計算方式	No. of modules(模塊數量) * 53 + 44 mm
Dimensions 插座尺寸	L(長度) x 81d(寬度) x 43h(高度) mm
Cut hole 開孔尺寸	[L(長度) - 19.5] x 72d(寬度) mm



Installation instruction 安裝方法

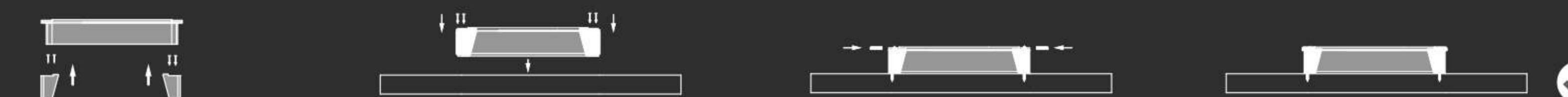
1 Installation on panel 屏風安裝



2 Installation on desktop 台面安裝



3 Installation inside cable tray 線槽安裝





CK02H Ordinary & Practical 常規實用

Category: on desk
Easy to install without tools required
2 mounting methods for fast & easy installation
Customized to any combination of power, data & custom modules
Capable of daisy chain power connection

Patented product 專利產品

類別: 台面應用
無需工具, 輕鬆安裝
2種快裝方式可選
定制化模組, 按需組合電源和弱電配置



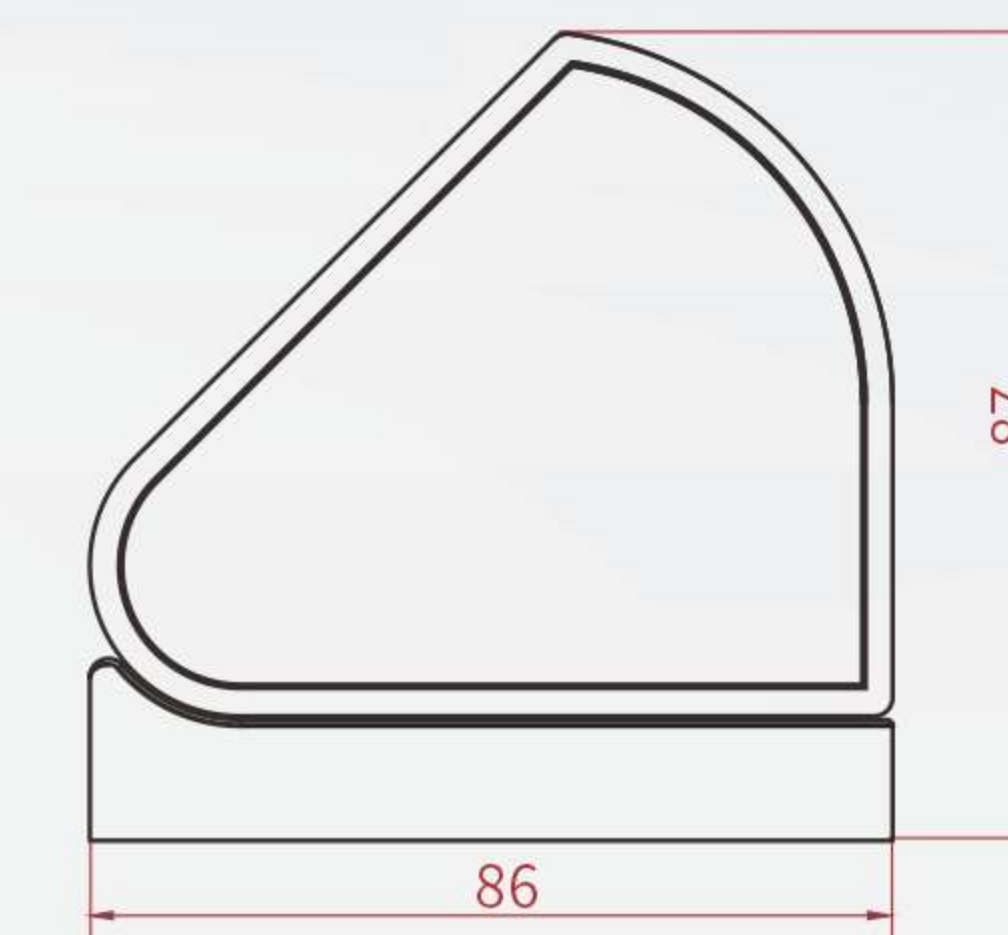
Ideal for: height adjustable desk, training room, work station, hotel room
適用於: 升降工作台, 培訓室, 辦公台面, 酒店房間

Anodized aluminum body: Clear / Black 陽極氧化鋁機身 ●●
Modules: White / Black 模塊 ●●
End caps: Silver / Black 端蓋 ●●



Specification 詳細參數

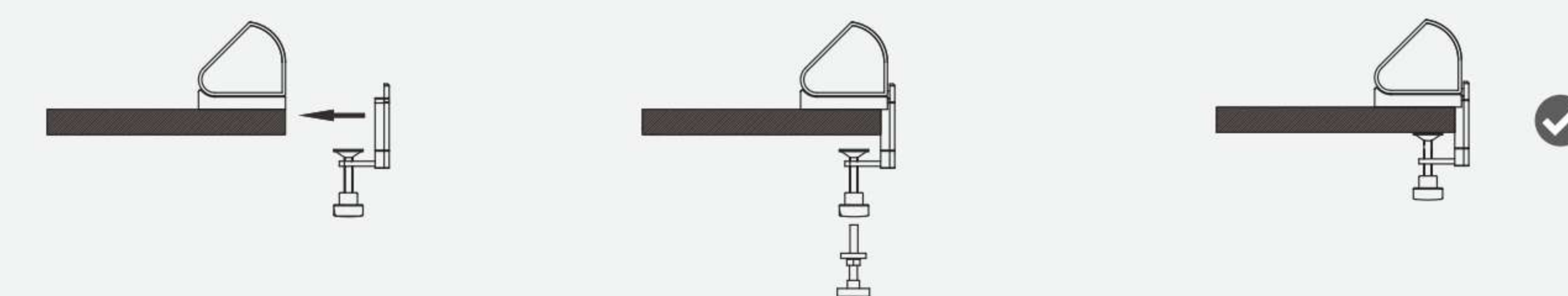
Min size 最小尺寸	1.5 modules 1.5模塊
Max size 最大尺寸	7 modules 7模塊
Length (L)長度計算方式	No. of modules(模塊數量) * 53 + 14 mm
Dimensions 插座尺寸	L(長度) x 86d(寬度) x 87h(高度) mm



Installation instruction 安裝方法



1 Clamp mount installation 夾桌安裝



2 Grommet mount installation 圓孔安裝





CK02L Clean & Compact 簡潔清爽

Category: on desk
Easy to install without tools required
3 mounting methods for fast & easy installation
Customized to any combination of power, data & custom modules
Capable of daisy chain power connection

類別: 台面應用
無需工具, 輕鬆安裝
3種快裝方式可選
定制化模塊, 按需組合電源和弱電配置
可串聯使用

Patented product 專利產品

CCC CE RoHS



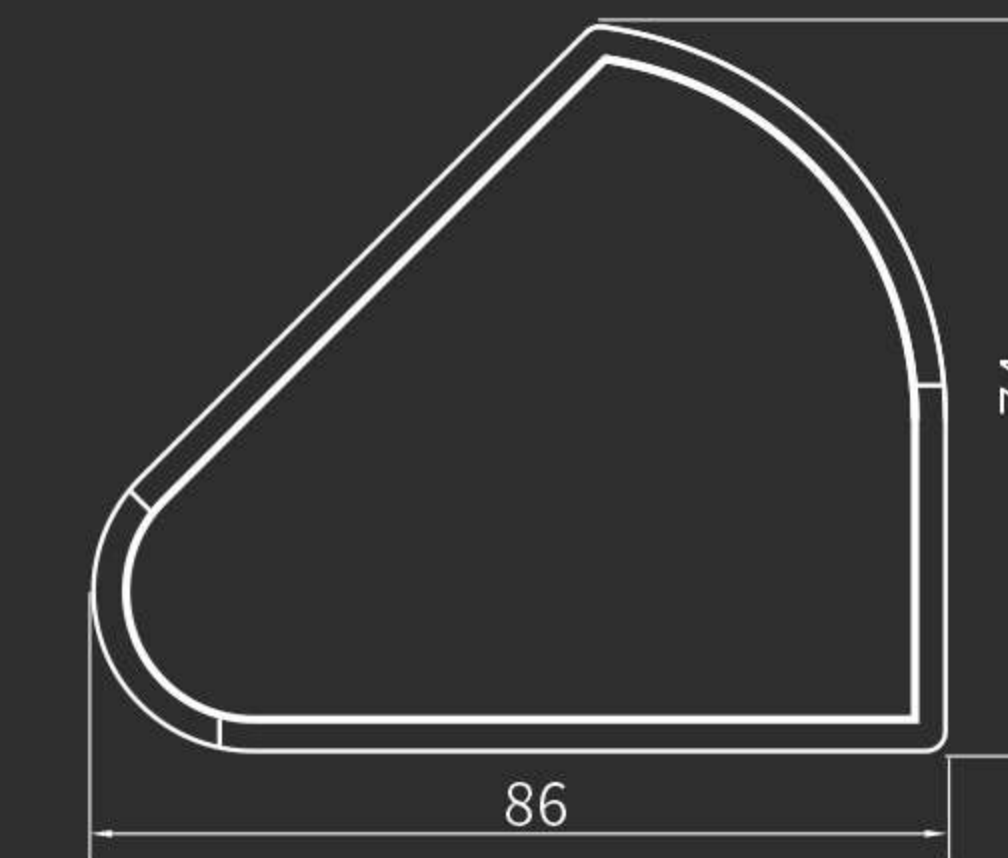
Ideal for: height adjustable desk, training room, work station, hotel room
適用於: 升降工作台, 培訓室, 辦公台面, 酒店房間

Anodized aluminum body: Clear / Black 陽極氧化鋁機身 ● ●
Modules: White / Black 模塊 ○ ●
End caps: Silver / Black 端蓋 ● ●



Specification 詳細參數

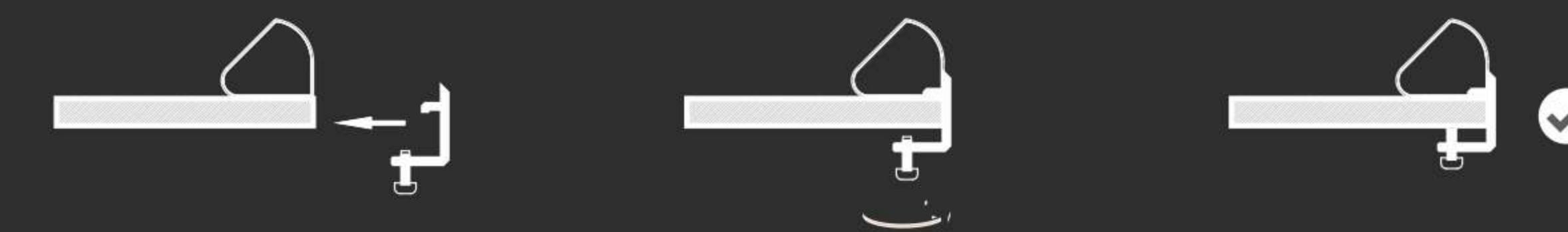
Min size 最小尺寸	1.5 modules 1.5模塊
Max size 最大尺寸	7 modules 7模塊
Length (L) 長度計算方式	No. of modules(模塊數量) * 53 + 14mm
Dimensions 插座尺寸	L(長度) x 86d(寬度) x 74h(高度) mm



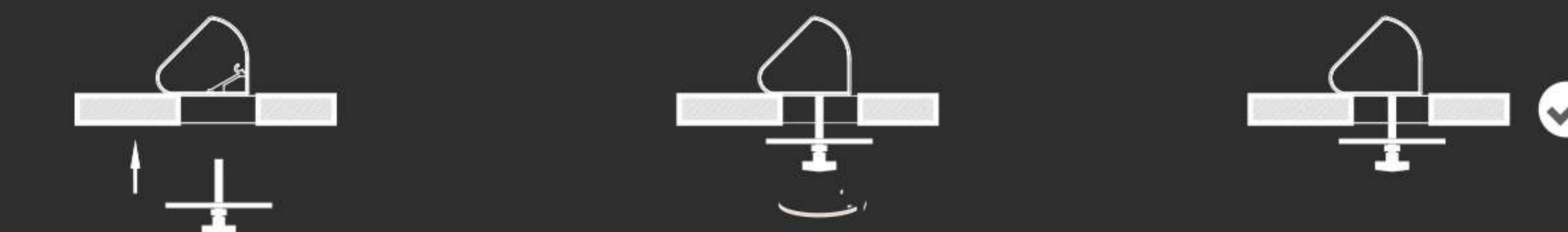
Installation instruction 安裝方法



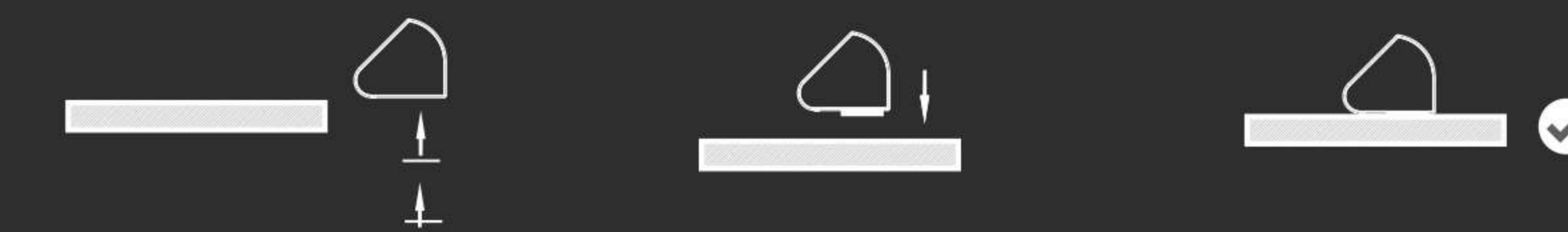
1 Clamp mount installation 夾桌安裝



2 Grommet mount installation 圓孔安裝



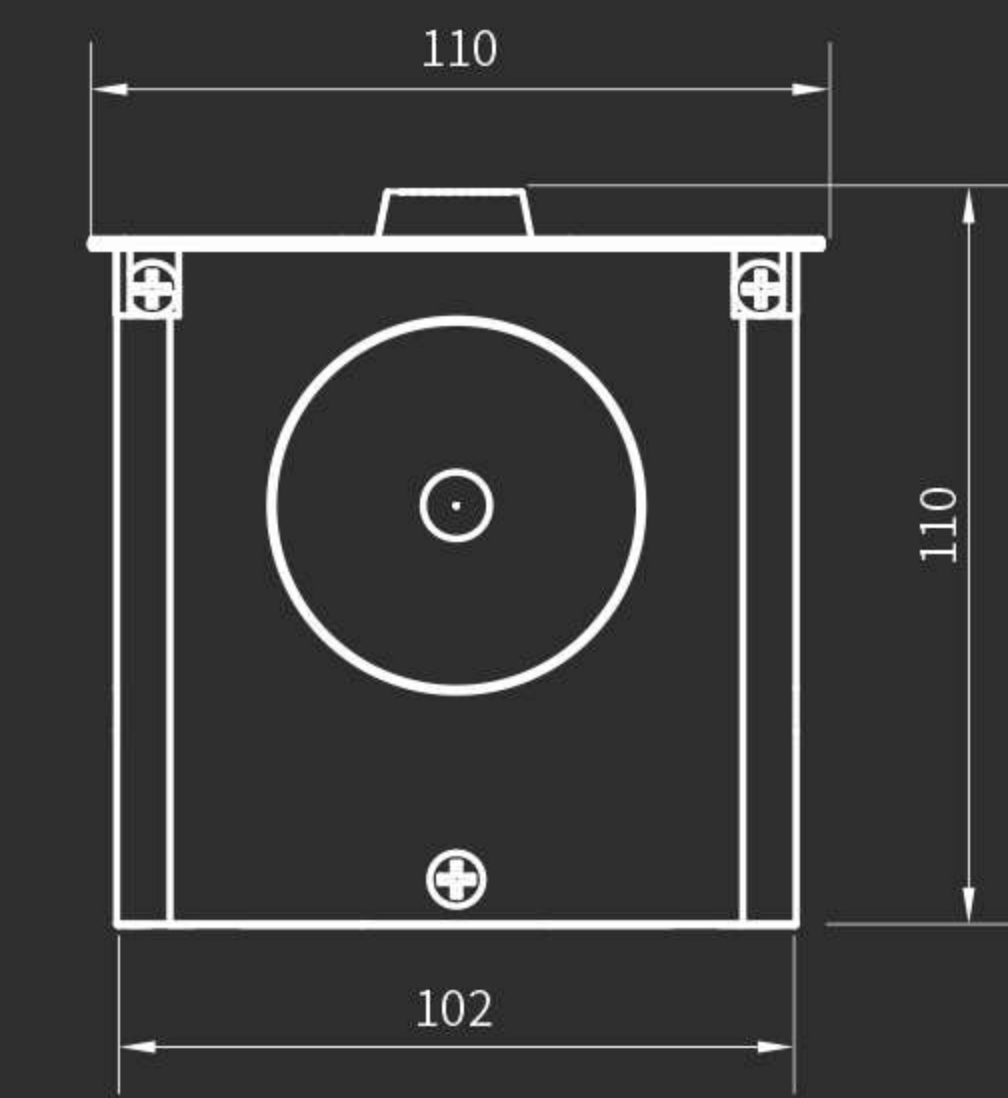
3 Mounting tape installation 桌面粘貼安裝





Specification 詳細參數

Min size最小尺寸	3 modules (模組)
Max size最大尺寸	5.5 modules (模組)
Length (L): 長度計算方式	No. of modules (模組數量) * 53 + 138mm
Dimensions插座尺寸	L(長度) x 102d(寬度) x 110h(高度)mm
Cut hole開孔尺寸	[L(長度)-30] x 106d(寬度)mm



CK03 Classic & Elegant 經典優雅

ELECTRICAL ROTARY POWER DATA BOX
 Category : in desk
 Easy to install with provided mounting screws
 Customized to any combination of power, data&custom modules
 * Dual infrared protection sensors to avoid accidents from pinching wires or fingers due to pressing the switch accidentally.

電動翻轉插座
 類別: 嵌入式
 特製螺絲釘, 實現輕鬆安裝
 定制化模組, 按需組合電源和弱電配置
 * 雙紅外線檢測保護, 可避免因意外按下開關而夾傷電線或手指等事故。

Patented product 專利產品



標準版 Standard version



黑條版 Black strip version

Installation instruction 安裝方法



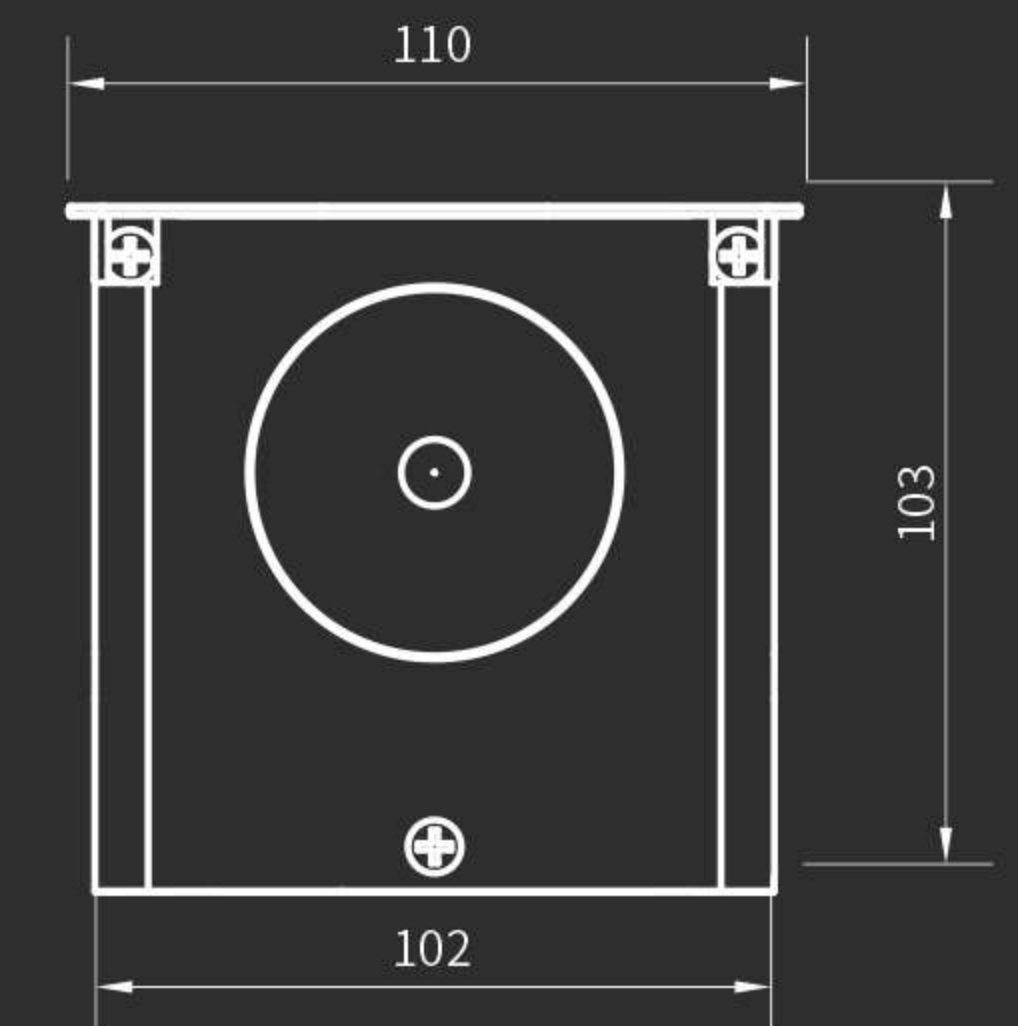
i Ideal for: conference table, executive desk, training room
 適用於會議桌, 主管辦公桌, 培訓室

Anodized aluminum body: Clear / Black 陽極氧化鋁機身 ● ○
 Modules: White / Black 模塊 ● ○
 End caps: Silver / Black 端蓋 ● ○



Specification 詳細參數

Min size 最小尺寸	2 modules (模組)
Max size 最大尺寸	6.5 modules (模組)
Length (L): 長度計算方式	No. of modules (模組數量) * 53 + 85mm
Dimensions 插座尺寸	L (長度) x 102d (寬度) x 103h (高度) mm
Cut hole 開孔尺寸	[L (長度) - 30] x 106d (寬度) mm



CK03M Simple & Neat 簡單整潔

MANUAL ROTARY POWER DATA BOX

Category: in desk

Easy to install with provided mounting screws

Customized to any combination of power, data & custom modules

手動翻轉插座

類別: 嵌入式

特製螺絲釘, 實現輕鬆安裝

定制化模組, 按需組合電源和弱電配置

Patented product 專利產品

UL cUL CCC CE RoHS



標準版 Standard version



黑條版 Black strip version

Installation instruction 安裝方法



Ideal for: conference table, executive desk, training room
適用於會議桌, 主管辦公桌, 培訓室

Anodized aluminum body: Clear / Black 陽極氧化鋁機身 ● ○
Modules: White / Black 模塊 ● ○
End caps: Silver / Black 端蓋 ● ○



CK05 Affordable & Compact 經濟小巧

Category: in desk
Detachable plastic back cover allows more convenient wiring for project
Easy to install with provided self-tapping screws
Customized to any combination of power, data & custom modules

Patented product 專利產品

類別: 嵌入式
可拆卸式塑膠後蓋, 工程接線靈活自如
借住自攻螺絲配件輕鬆安裝
定制化模塊, 按需組合電源和弱點配置



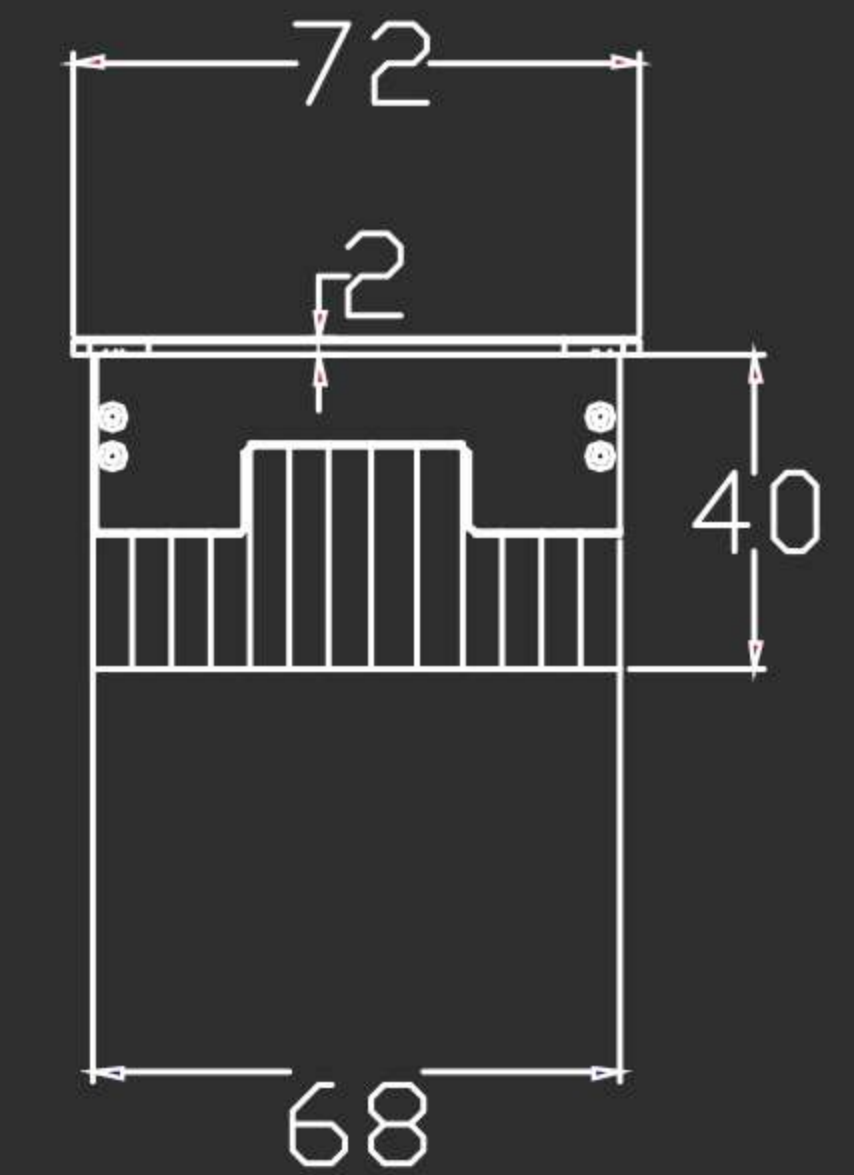
i Ideal for: work station, panel and training room
適用於辦公台面, 屏風, 培訓室

Anodized aluminum edging: Clear / Black 陽極氧化鋁飾邊 ● ●
Modules: Black 模塊 ● ●
End caps: Black 端蓋 ● ●



Specification 詳細參數

Min size 最小尺寸	1.5 modules 1.5模塊
Max size 最大尺寸	7 modules 7模塊
Length (L)長度計算方式	No. of modules(模塊數量) * 53 + 26.5mm
Dimensions 插座尺寸	L(長度) x 72d(寬度) x 42h(高度) mm
Cut hole開孔尺寸	[L(長度)-15.5] x 69d(寬度) mm



Installation instruction 安裝方法





CK06 Contemporary & Slim 現代纖薄

Category: on desk, under desk
Easy to install without cutout on work surface
4 mounting methods and 2 of them without tools required
Customized to any combination of power, data & custom modules
Capable of daisy chain power connection

Patented product 專利產品

類別桌面, 台底應用
無需開孔, 輕鬆安裝
4種安裝方式, 2種無需工具輔助
定制化模塊, 按需組合電源和弱電配置
可串聯使用

UL cUL CCC CE RoHS



Ideal for: height adjustable desk, training room, work station, hotel room
適用於: 升降工作台, 培訓室, 辦公台面, 酒店房間

Anodized aluminum body: Clear / Black 陽極氧化鋁機身 ● ●
Modules: White / Black 模塊 ○ ●
End caps: White / Black 端蓋 ○ ●





● 串聯方式 ①

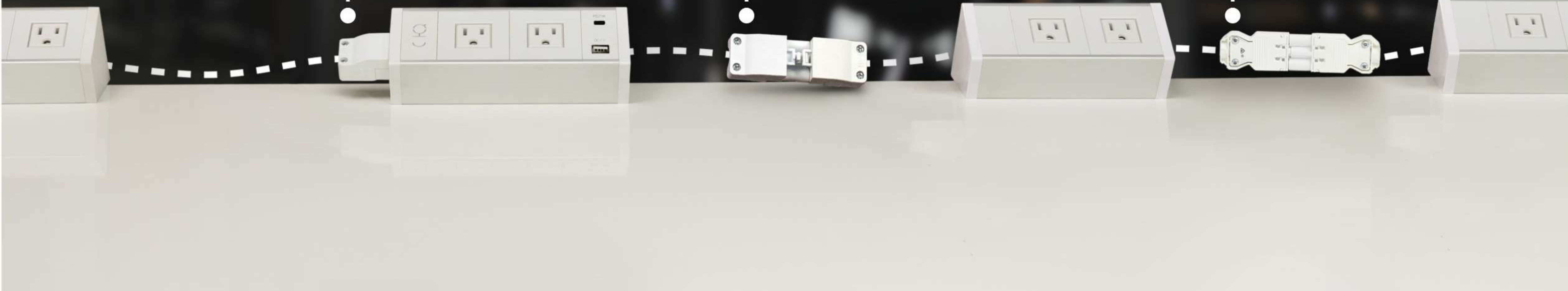
Daisy chain connection way ①

● 串聯方式 ②

Daisy chain connection way ②

● 串聯方式 ③

Daisy chain connection way ③



新台底安裝

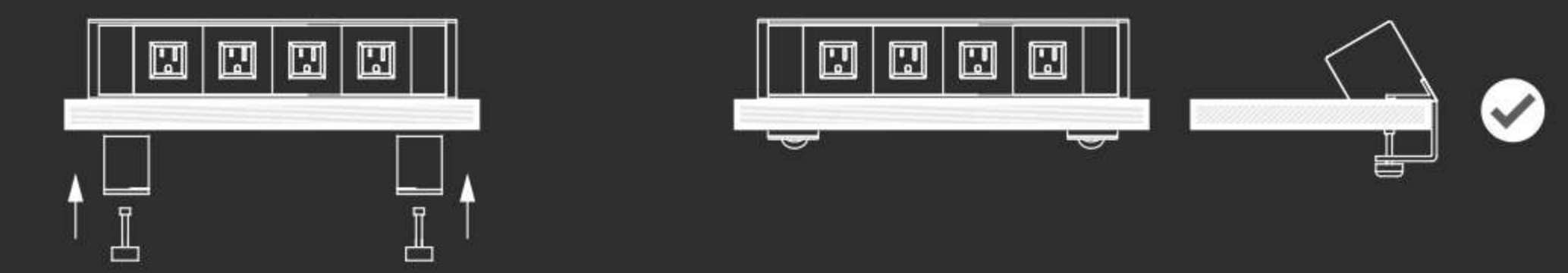
New under desk mounting



Installation instruction 安裝方法



- 1 Clamp mount to install on the edge of a work surface
夾桌安裝--台面邊緣徒手30秒快裝



- 2 Underneath mount to install underneath a work surface
台底安裝--借助螺絲釘輕鬆藏匿於台底

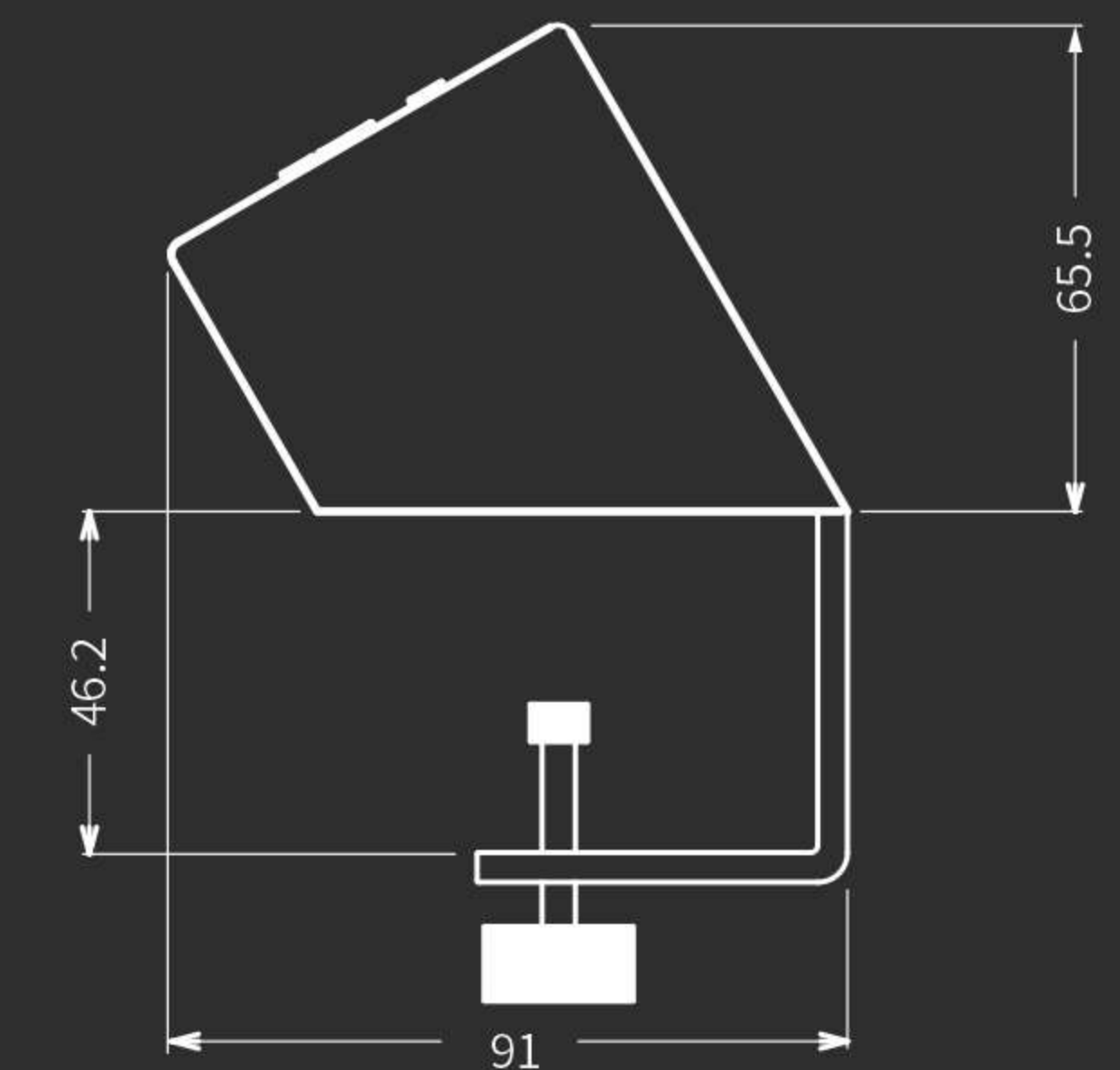


- 3 Grommet mount to install over a grommet hole of a work surface
圓孔安裝--只需小小圓孔即可安裝於台面任何位置



Specification 詳細參數

Min size 最小尺寸	1.5 modules 1.5模塊
Max size 最大尺寸	7 modules 7模塊
Length (L)长度计算方式	No. of modules(模塊數量) * 53 + 16 mm
Dimensions 插座尺寸	L(長度) x 91d(寬度) x 65.5h(高度) mm



CK07 CK07M

Clean & Lovely **NEW!**
簡潔可愛

Category: in desk
Sliding cover to prevent spilled liquid entering into the unit
Two styles to meet different requirement
Customized to any combination of power, data & custom modules

CCC CE RoHS

類別 嵌入式
滑动式面盖, 防水防尘
兩種款式滿足不同需求
定制化模块, 按需组合电源和弱电配置

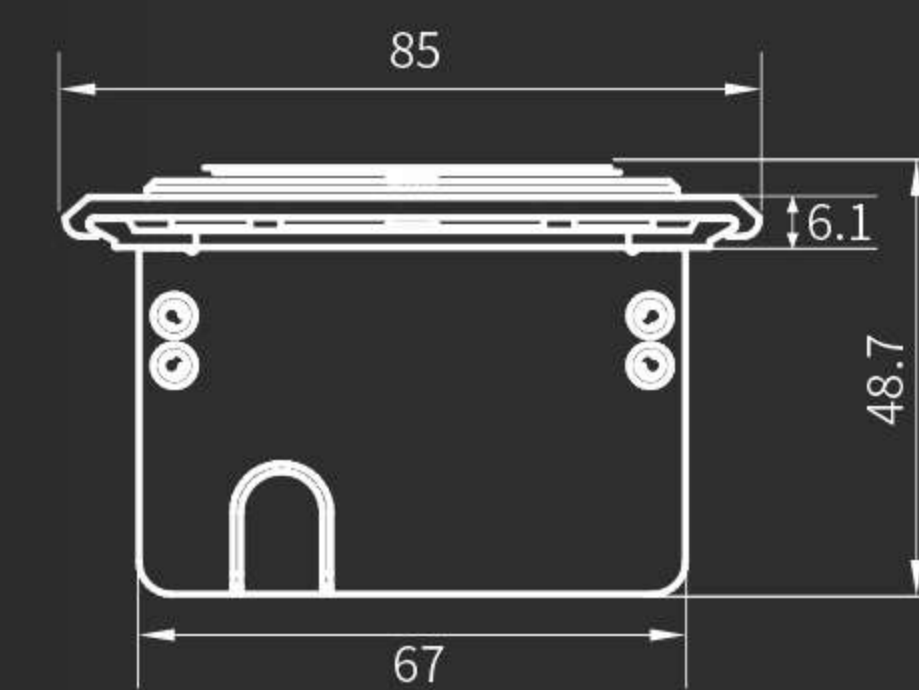
Patented product 專利產品

i Ideal for: meeting, training room, hotel room and work station
適用於: 會議室, 培訓室, 酒店房間, 辦公台面

Modules: White / Black 模块 ●●
Sliding Cover: Silver / Black 滑塊 ●●
Plastic detachable body (CK07): Dark grey 塑料可拆卸機身(CK07) ●
Anodized aluminum body (CK07M): Clear / Black 陽極氧化鋁機身(CK07M) ●●

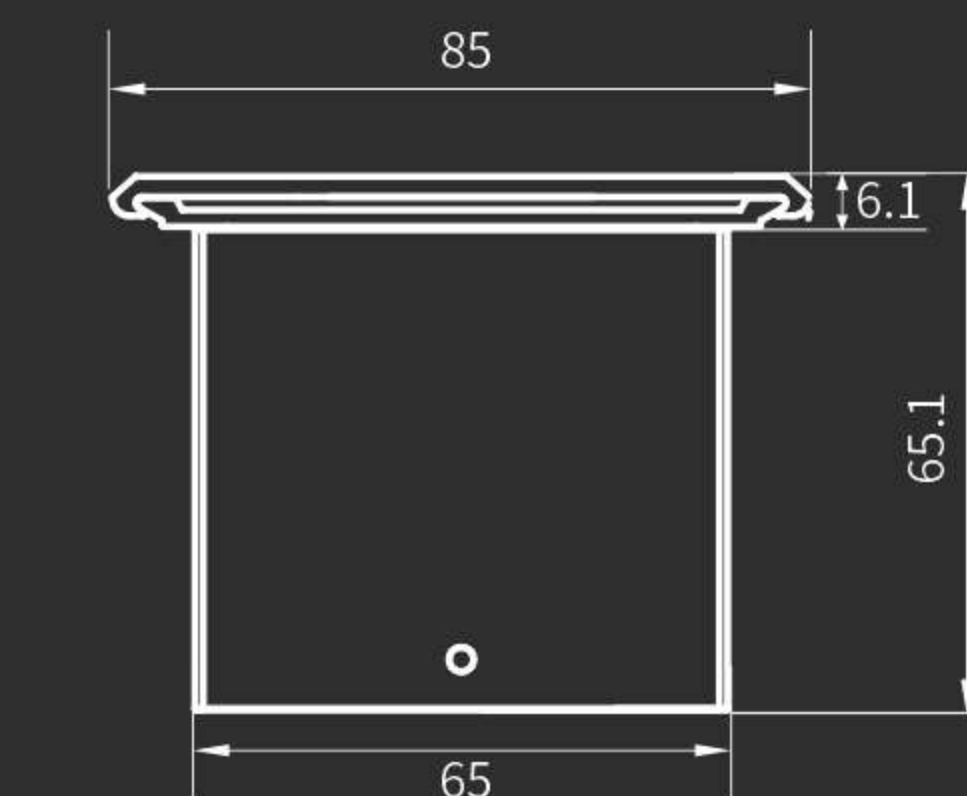


CK07



Min size 最小尺寸	3.5 modules (模組)
Max size 最大尺寸	8.5 modules (模組)
Standard size 標準款	4 modules (模組)
Dimensions 標準插座尺寸	265L (長度) * 85d (寬度) * 48.7h (高度) mm
Cut hole 標準開孔尺寸	252L (長度) * 69d (寬度) mm

CK07M



Min size 最小尺寸	3.5 modules (模組)
Max size 最大尺寸	8.5 modules (模組)
Length (L): 長度計算方式	No. of modules (模組數量) * 53 + 56.5mm
Dimensions 插座尺寸	L (長度) x 85d (寬度) x 65.1h (高度) mm
Cut hole 開孔尺寸	[L (長度) - 14] x 67d (寬度) mm

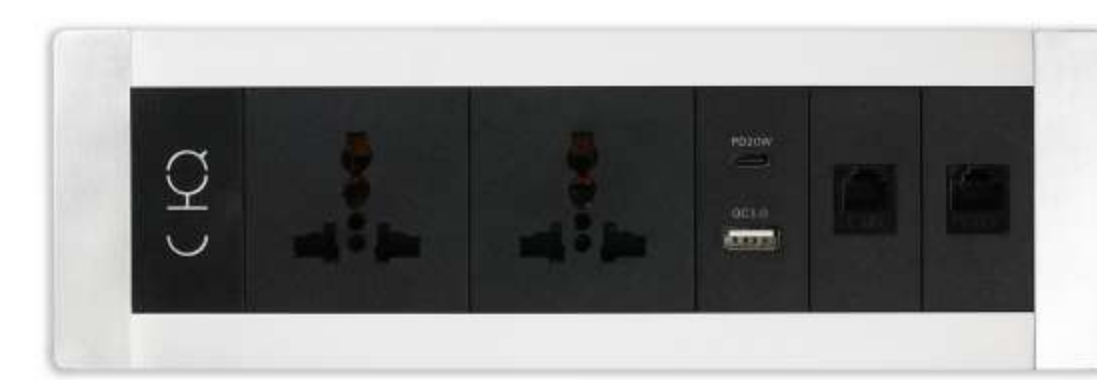


CK09 Graceful & Slender 優美纖細

Category: in desk
More flatter while elegant as usual
Easy to install with provided mounting brackets
Customized to any combination of power, data & custom modules

類別: 嵌入式
一如既往的優雅外觀和更平貼桌面的嵌入效果
藉助安裝件輕鬆安裝
定制化模塊, 按需組合電源和弱電配置

Patented product 專利產品



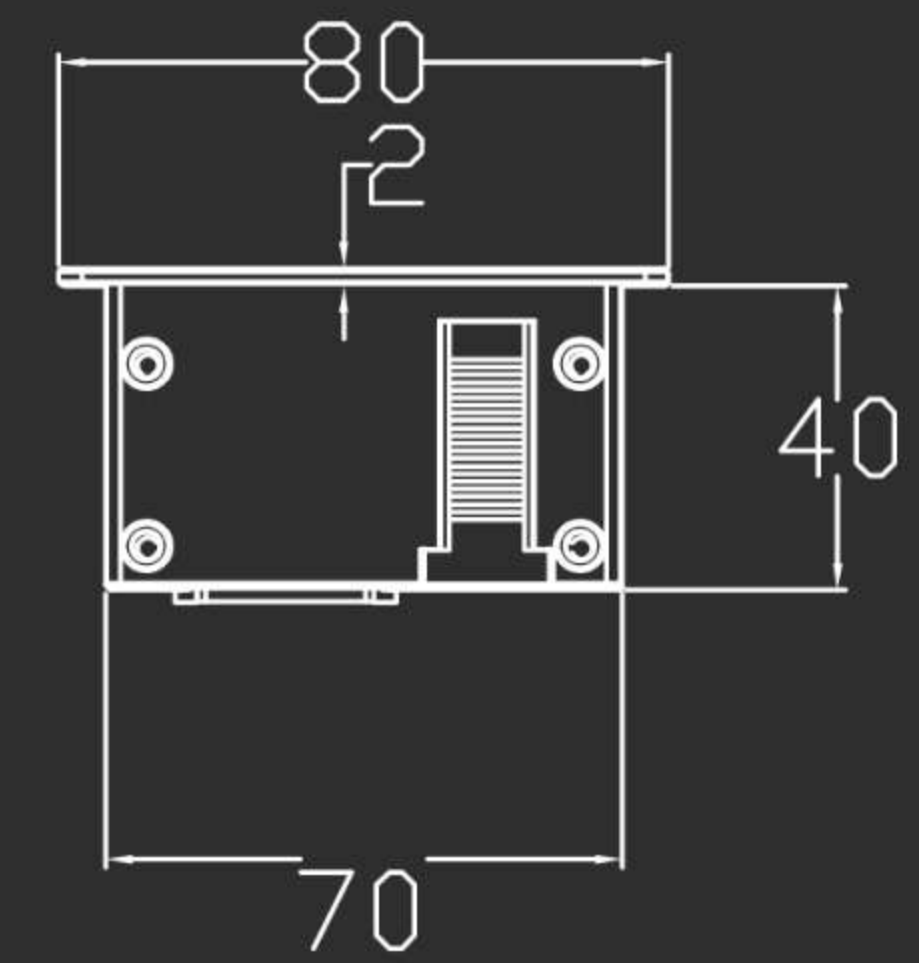
銀黑色 Silver & Black



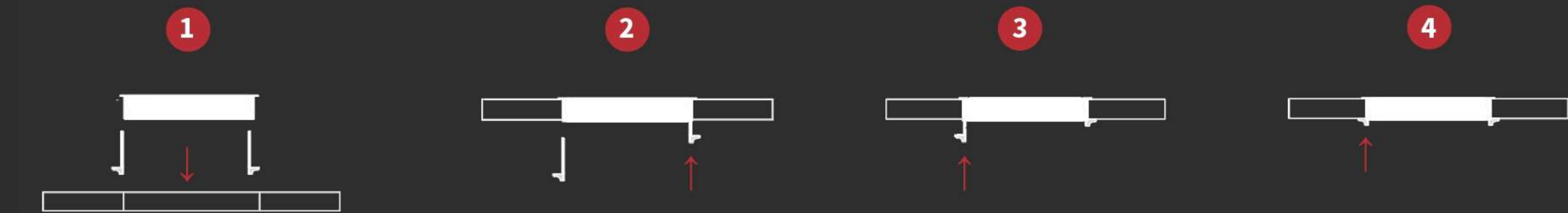
全黑色 All Black

Specification 詳細參數

Min size 最小尺寸	1.5 modules (模組)
Max size 最大尺寸	7 modules (模組)
Length (L): 長度計算方式	No. of modules (模組數量) * 53 + 36mm
Dimensions 插座尺寸	L(長度) x 80d(寬度) x 42h(高度) mm
Cut hole 開孔尺寸	[L(長度)-11] x 72d(寬度) mm



Installation instruction 安裝方法



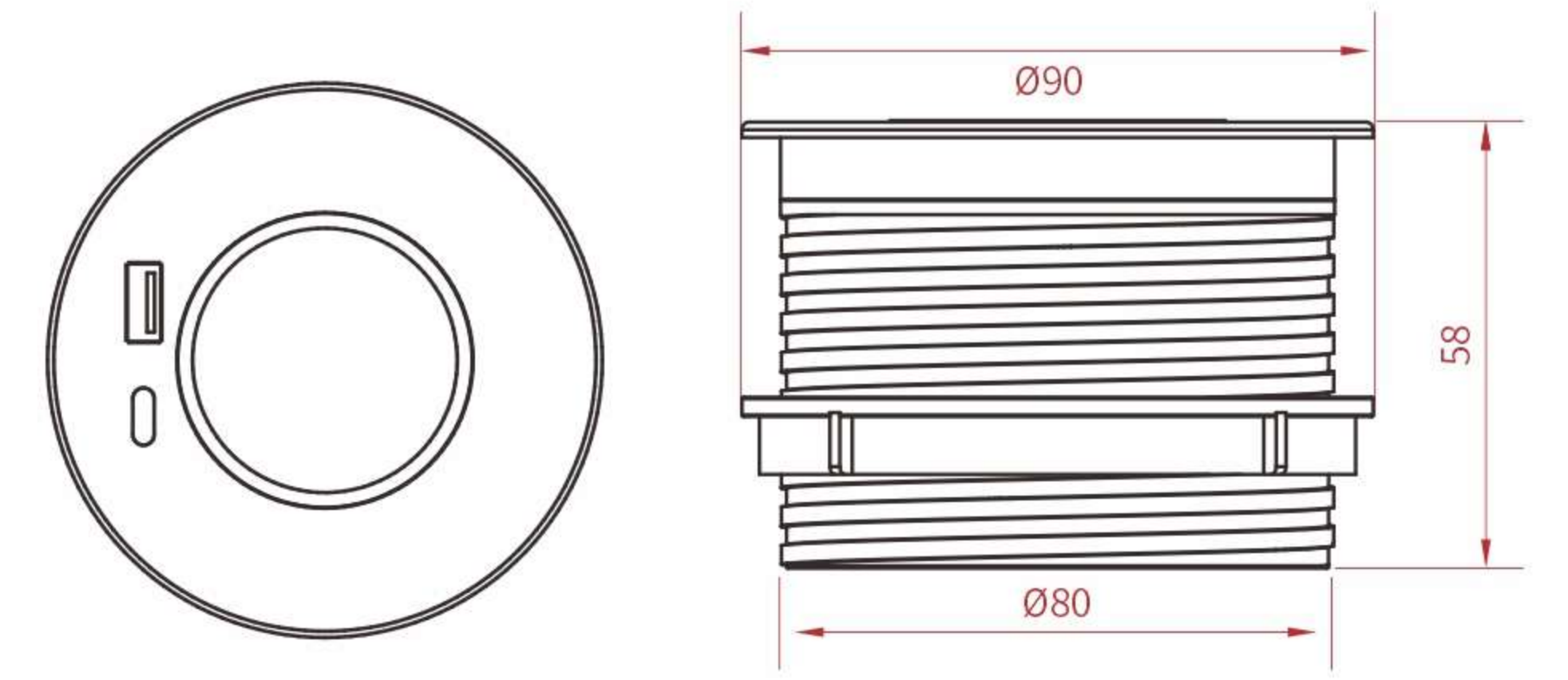
i Ideal for: work station, training room, and hotel room
適用於升降辦公桌, 培訓室, 酒店房間

Anodized aluminum body: Clear / Black 陽極氧化鋁機身 ● ○
Modules: White / Black 模塊 ● ○
End caps: Silver / Black 端蓋 ● ○

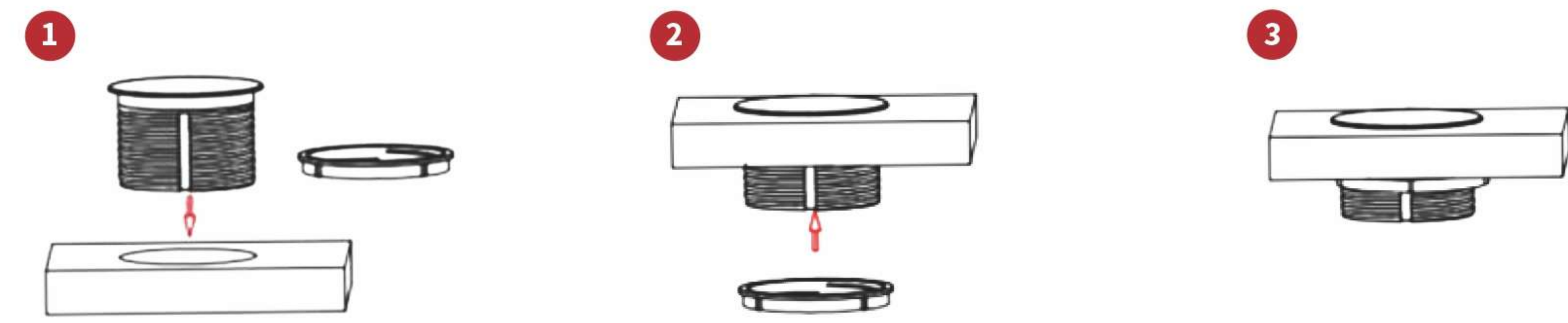


Specification 詳細參數

Wireless (無線充): 15W USB: 18w
Dimensions 插座尺寸 直徑 ϕ 90mm
Cut hole 開孔尺寸 直徑 ϕ 80mm



Installation instruction 安裝方法



CK10R Fresh & Simple 簡單清新

Power socket or Qi wireless charger
 Category: in desk
 Easy to install with provided barrel nut

電源插座或無線充電
 類別: 嵌入式
 借助筒型螺母, 30s 輕鬆安裝

Patented product 專利產品



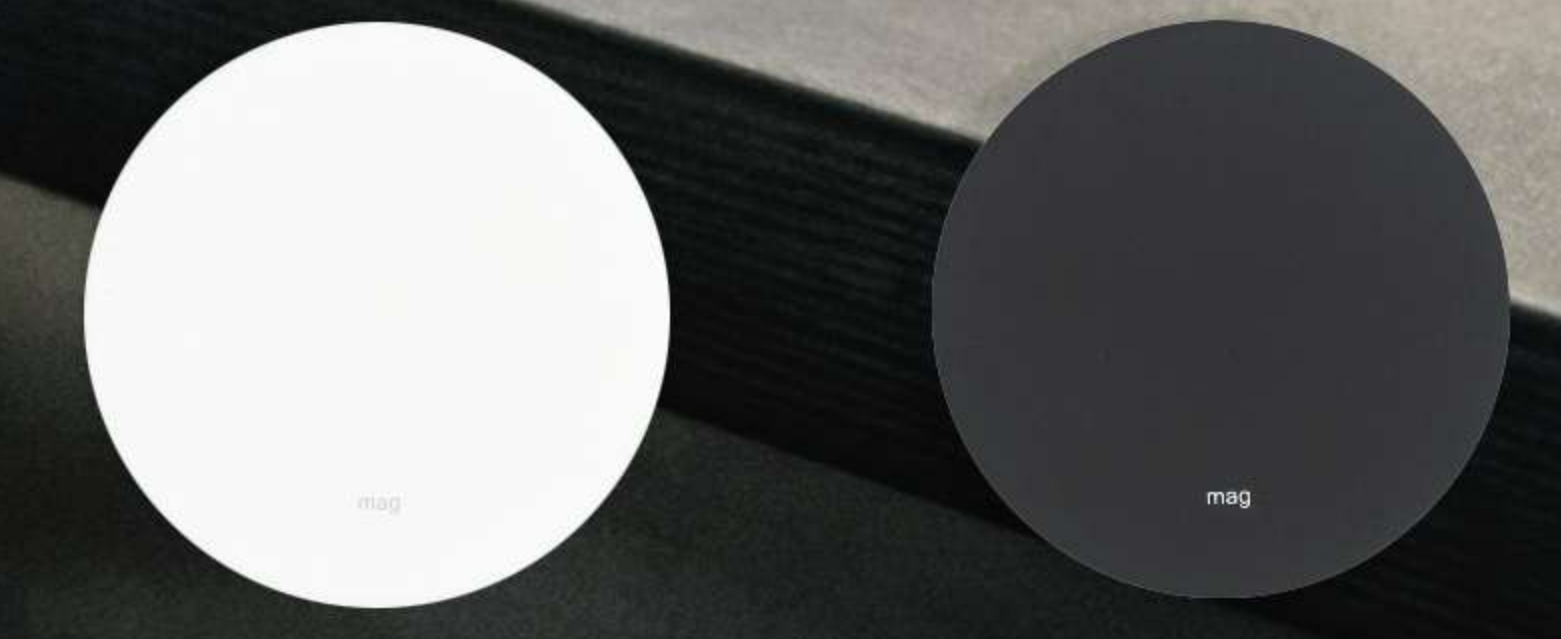
i Ideal for: height adjustable desk, training room, work station, hotel room
 適用於升降辦公台, 培訓室, 辦公桌面, 酒店房間

• Bottom socket is an option to choose 底部插座可選配
 Finish: White / Black 外觀 ○ ●

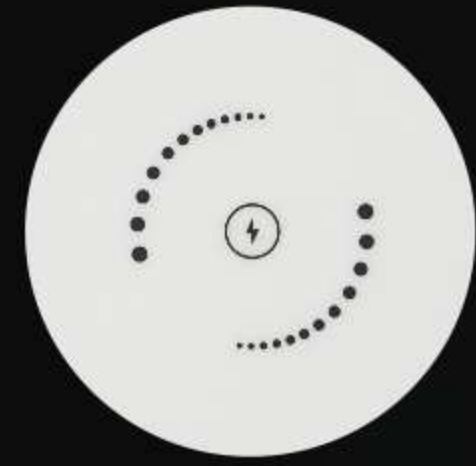
CK10M Fresh & Simple NEW! 簡單清新

15W magnetic wireless charger
 Cut hole: ϕ 60mm
 Applicable to all Qi-certified devices with wireless charging function, and its magnets attach to iPhone for the best position of wireless charging.

15W 磁吸無線充電器
 開孔尺寸: 直徑60mm
 適用於所有Qi認證帶無線充電功能的設備, 苹果手机額外享有磁吸功能, 充電更精準高效。



CK11 Hidden & Powerful NEW! 隱藏強效



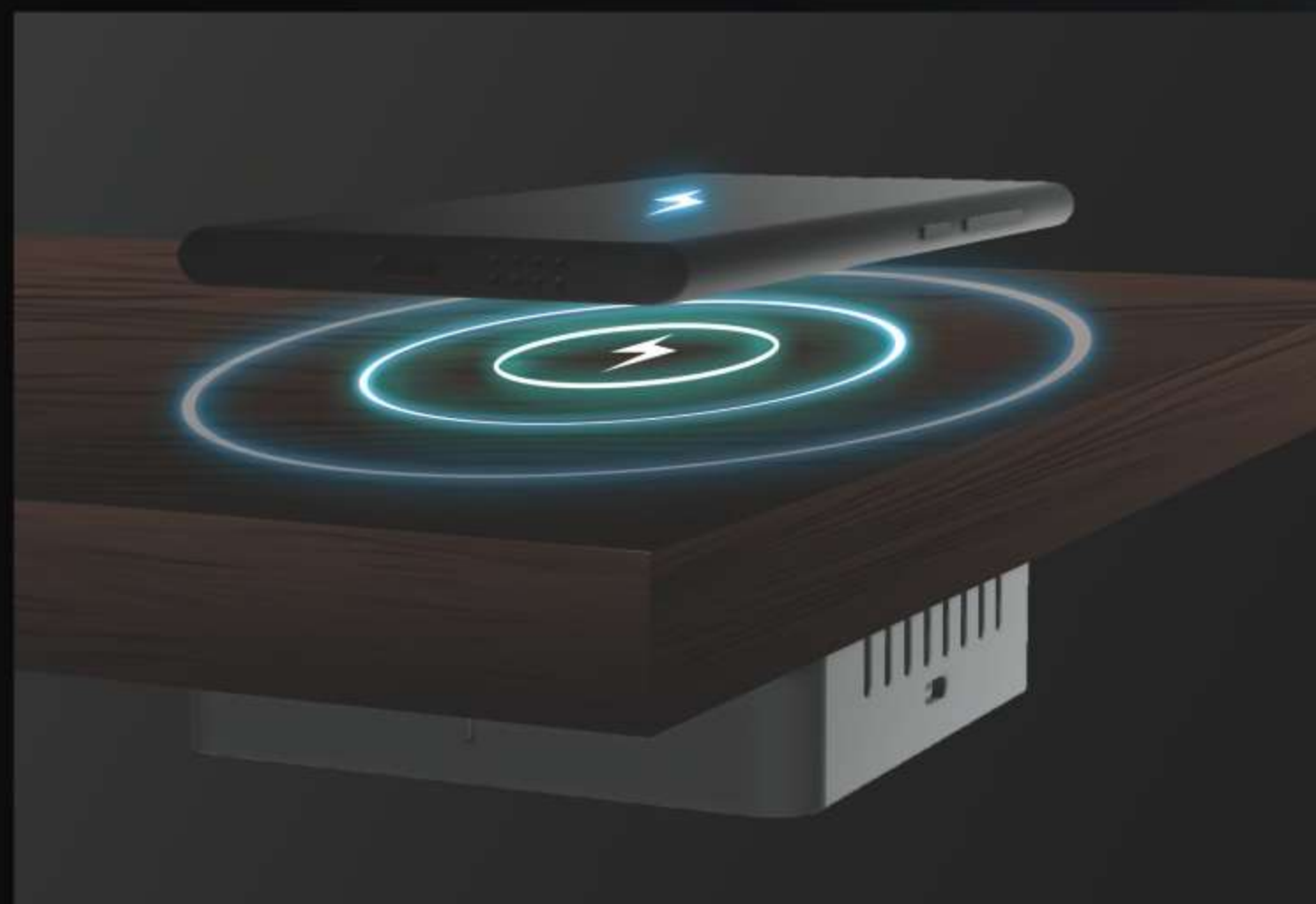
UNDER DESK WIRELESS CHARGER

Compatible with Apple & Android phones & accessories that support Qi
Non-metallic desktop with thickness $\leq 27\text{mm}$
Over current, over voltage, over temperature and foreign object detection protection

Input: 26V/0.8A Output: 15W(Max)
Charging distance: 10-27mm Range range: $\varnothing 20\text{mm}$
Material: Plastic coated with flocked surface Size: 102x102 mm

隔空無線充
适用于支持Qi充电的苹果、安卓系统手机及配件
桌面厚度 $\leq 27\text{mm}$ 的非金属桌面
过流、过温、过压、电池场、异物保护

輸入：26V/0.8A 輸出：15W(Max)
有效充電距離：10-27mm 有效充電範圍： $\varnothing 20\text{mm}$
外殼材質：塑膠外殼植絨表面 產品尺寸：102x102 mm



Lighting
燈光

Ventilation
通風

Phone Booth Solution 電話亭控制系統

Seamless integration, body detection auto-start light & ventilation system
高效集成, 人體聯動 NEW!



Control Panel & Socket Outlets
控制面板及電源插座



Motion Sensor
人體感應

CKQ provide more than simply sockets
We are professional power solution designer
CKQ不僅僅只提供電源插座, 我們是專業的電源解決方案設計者



CK51 Flip Cover Socket 翻蓋款

Category: in desk
Plugs are hidden under the cover to restore a neat surface
Ideal for: conference table, multi-media room

類別: 嵌入式
毛刷線蓋讓插頭隱形, 桌面重返整潔
適用於會議桌, 多媒體室

Dimensions 插座尺寸 264L(長)*127D(寬)*80H(高)mm
Cut hole 開孔尺寸 254L(長)*117D(寬)mm

CK51S Mini Flip Cover Socket 迷你翻蓋款

Category: in desk
Mini one, good enough for the basic functions
Ideal for: conference table, multi-media room

類別: 嵌入式
迷你版, 麻雀雖小, 功能俱全
適用於會議桌, 多媒體室

Dimensions 插座尺寸 144L(長)*129D(寬)*80H(高)mm
Cut hole 開孔尺寸 134L(長)*119D(寬)mm



CK52 One face plate 一體面板款

Category: in desk
Basic configuration of one power and one data
Ideal for: work station, hotel room

類別: 嵌入式
極簡配置, 一電一網滿足基本需求
適用於辦公台面, 酒店房間

Dimensions 插座尺寸 175L(長)*60D(寬)*55H(高)mm
Cut hole 開孔尺寸 139L(長)*54D(寬)mm



CK54 Pop-up Socket 按彈款

Category: in desk
Press a button, all the sockets are revealed at your fingertip
Ideal for: conference table, executive desk

類別: 嵌入式
一鍵按彈, 開啟電, 網, 影, 音的全媒體配置
適用於會議桌, 主管辦公桌

Dimensions 插座尺寸 262L(長)*116D(寬)*68H(高)mm
Cut hole 開孔尺寸 251L(長)*111D(寬)mm

CK55 Grommet charger 圓孔充電

Category: in desk
18W QC 3.0 USB fast charger
Ideal for: soft furnishings, lounge area

類別: 嵌入式
18W極速充, 小巧身材大能量
適用於軟傢俱, 休息區

Dimensions 插座尺寸 直徑φ66mm * 高H23mm
Cut hole 開孔尺寸 直徑φ44mm





模塊定制

Modules for customized Power Data OUTLETS

New Modules 新模塊



PD 20W 快充 PD 20W quick charger

- Max. 20W output
- Port A: Support QC2.0, QC3.0, Apple 2.4A, AFC, DCP
- Port C: Support PD2.0, QC2.0, QC3.0, Apple 2.4A, DCP
- Short circuit protection, over current protection, over voltage protection

- 最高20瓦輸出
- A口:支持 QC2.0, QC3.0, Apple 2.4A, AFC, DCP 協議
- C口:支持 PD2.0, QC2.0, QC3.0, Apple 2.4A, DCP 協議
- 短路、過流過壓保護



無線及USB A+C 快充 Qi wireless, USB A+C quick charger

- Max. 18W output
- Qi certified 15W quick charging (iPhone 7.5W)
- Support DCP, QC2.0, QC3.0, PE+1.1, PE2.0, FCP, SCP, AFC, USB PD 2.0, PD3.0 PPS
- Short circuit, over voltage, over temperature & over current protection

- 最高18瓦輸出
- Qi 認證 15瓦 快充 (蘋果手機7.5瓦)
- 支持DCP, QC2.0, QC3.0, PE+1.1, PE2.0, FCP, SCP, AFC, USB PD 2.0, PD3.0 PPS 協議
- 短路、過流、過壓、溫度過高保護



PD 65W 快充 PD 65W quick charger

- Max. 65W output
- Port A: Support QC2.0, QC3.0, Apple 2.4A, AFC, FCP
- Port C: Support PD3.0 PPS, QC2.0, QC3.0, QC4+, AFC, Apple 2.4A, FCP
- Short circuit, over current protection, over temperature protection, over voltage protection.

- 最高65瓦輸出
- A口:支持 QC2.0, QC3.0, Apple 2.4A, AFC, FCP 協議
- C口:支持 PD3.0 PPS, QC2.0, QC3.0, QC4+, AFC, Apple 2.4A, FCP 協議
- 短路、過流保護、過熱保護、過壓保護

Power socket Modules 強電模塊



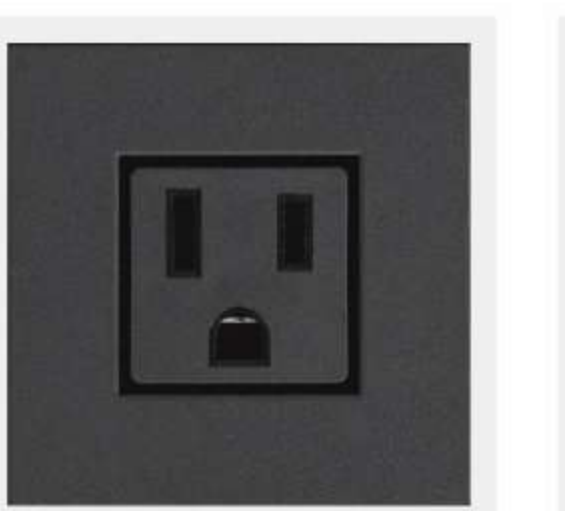
German 德式電源



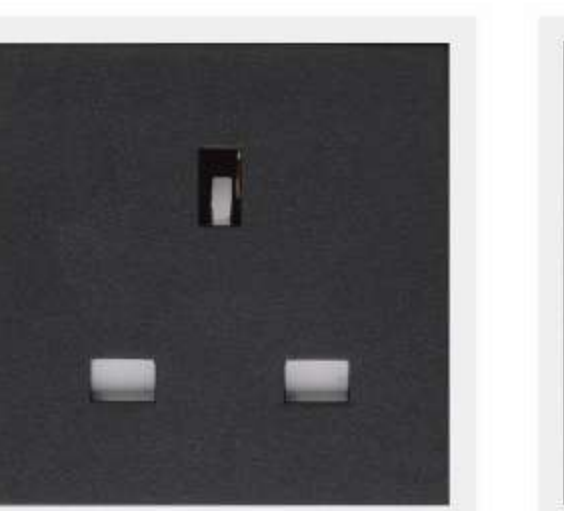
French 法式電源



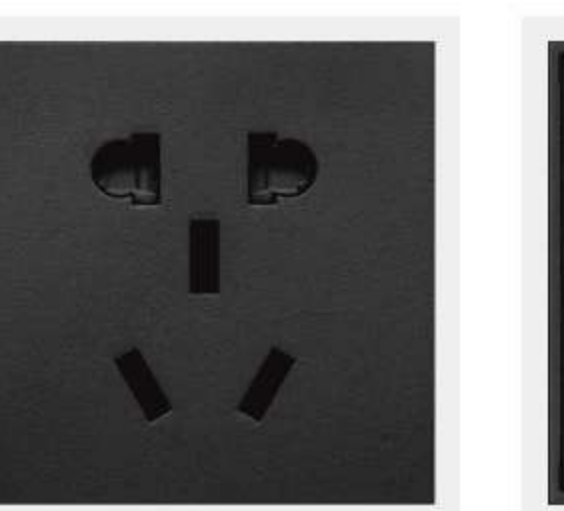
Universal 萬用電源



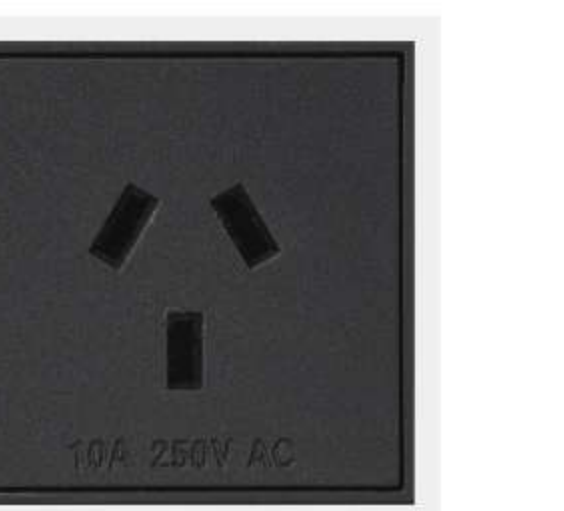
UL 電源



UK 電源



CCC 電源



Australia 澳洲電源

Other modules 其他模塊



電話線 phone



6類網絡 Cat. 6 data



5類網絡 Cat. 5e data



雙網絡 dual data



網絡+電話 data+phone



雙USB接口 dual USB data



雙USB充電 dual USB charger



VGA模塊 VGA



RCA音頻 RCA audio



3.5音頻 x 2 3.5 audio x 2



3.5音頻 3.5 audio



3.5音頻+RCA視頻 3.5 audio+RCA video



RCA音視頻 RCA



HDMI+USB



USB+3.5音頻 USB+3.5 audio



HDMI+3.5音頻 HDMI+3.5 audio



HDMI HDMI



USB 3.0 USB 3.0



過載保護帶燈開關 over-current protection switch



HDMI X 2 dual HDMI



走線模塊 wiring pass-through

Photos shown are for reference ONLY, the actual product may vary a little bit because of the continuously product enhancement.

所示照片僅供參考實際產品可能會因為不斷的產品改進而略有變化。





东莞市臣工电子科技有限公司

Dongguan Chengong Electronic Technology Co., Ltd.



ABOUT US

「臣工」系列的產品是臣工電子科技原創設計設計師在產品開發及設計領域上已超過十六年之久,是全球辦公電動翻轉插座創始人。

臣工電子科技有限公司位於廣東省東莞市塘廈公司堅持以質取勝的首要策略為全球高端傢具夥伴及設計公司提供融合最新技術的安全電源及數據插座解決方案產品的時尚和簡潔設計與傢具無縫融合打造一個高效率的工作空間公司已在香港註冊產品已獲得中國多項專利產品通過中國CCC美國UL加拿大CUL歐洲CE及RoHS認證;

臣工秉承優質產品服務至上的理念目標成為全球十大辦公及酒店插座設備供應商之一。

臣工插座助您成功。

The "CKQ" product series were designed by our founder, who has been working in this field over 16 years and is the inventor of electrical rotary power and data box in the world.

Our factory is located in Tangxia of Dongguan City in Guangdong Province. Our company's core value is "Quality First". We are providing the up-to-date safety power and data outlet solutions combining with the latest technology to global high-end furniture partners and design companies. The stylishness and simplicity of the product blends seamlessly with furniture and delivers a dynamic, effective and efficient work place.

The company is registered in Hong Kong and has acquired a number of patents in China. Certification of China CCC, the United States UL, Canada CUL, the European CE and RoHS were granted to our products.

We believe in "Fine Product, Best Service" and our vision is to become one of the top ten global power and data outlets suppliers for office and hotels.

CKQ power data outlets make you success.